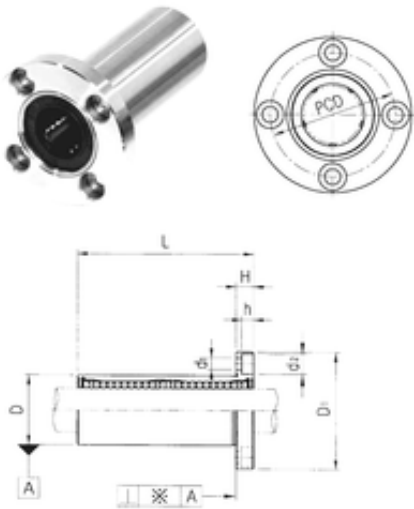




CSC BEARING GROUP limited



Samick LMEF50LUU Linear bearing

Bearing No. LMEF50LUU

Bore Diameter	50 mm
Outer Diameter	75 mm
d	50 mm
D	75 mm
d1	9 mm
d2	14 mm
h	8,6 mm
D1	112 mm
H	13 mm
L	192 mm
PCD	94 mm
Tolerance perpendicularity (C)	20
Weight	3,5 Kg
Basic dynamic load rating (C)	6,08 kN

LMEF50LUU Bearing 2D drawings and 3D CAD models