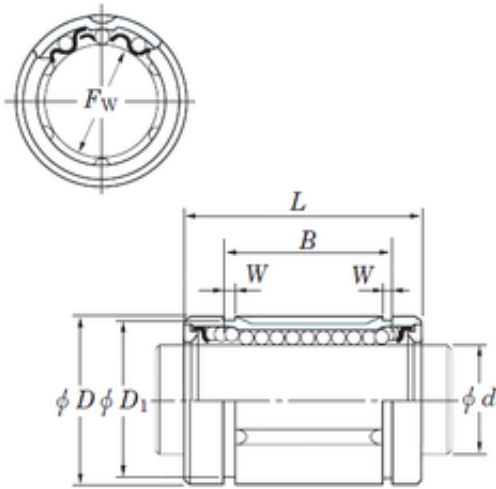




# CSC BEARING GROUP limited



## KOYO SDE60 Linear bearing

Bearing No. SDE60

Size	60x90x101.7 mm
Bore Diameter	60 mm
Outer Diameter	90 mm
Width	101,7 mm
Fw	60 mm
D	90 mm
B	101,7 mm
D1	86,5 mm
L	125 mm
W	3,15 mm
Weight	1,9 Kg
Basic dynamic load rating (C)	6470 kN

SDE60 Bearing 2D drawings and 3D CAD models