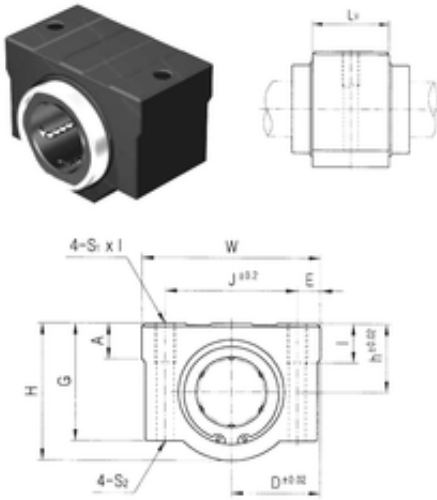




CSC BEARING GROUP limited



Samick SC25V-B Linear bearing

Bearing No. SC25V-B

Bore Diameter	25 mm
d	25 mm
h	26 mm
A	12 mm
D	38 mm
E	11 mm
G	41 mm
H	51,5 mm
J	54 mm
L	37,4 mm
S1x	M8
S2	6,8 mm
W	76 mm
Weight	0,405 Kg
Basic dynamic load rating (C)	0,98 kN

SC25V-B Bearing 2D drawings and 3D CAD models