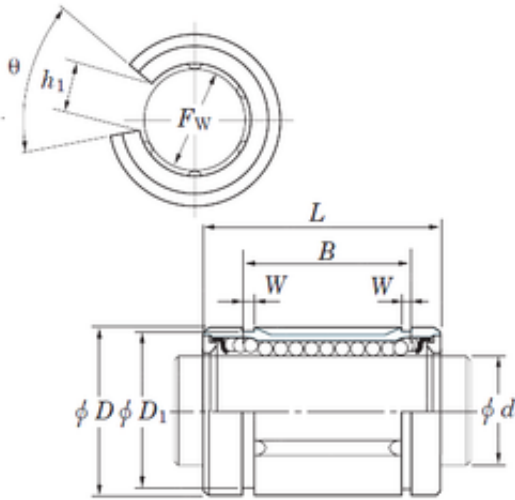




CSC BEARING GROUP limited

KOYO SDM10OP Linear bearing

Bearing No. SDM10OP



SDM10OP Bearing 2D drawings and 3D CAD models

Bore Diameter	10 mm
Outer Diameter	19 mm
Fw	10 mm
D	19 mm
h	1 mm
h1	6,8 mm
B	22 mm
D1	18 mm
L	29 mm
W	1,3 mm
Weight	0,027 Kg
Basic dynamic load rating (C)	259 kN