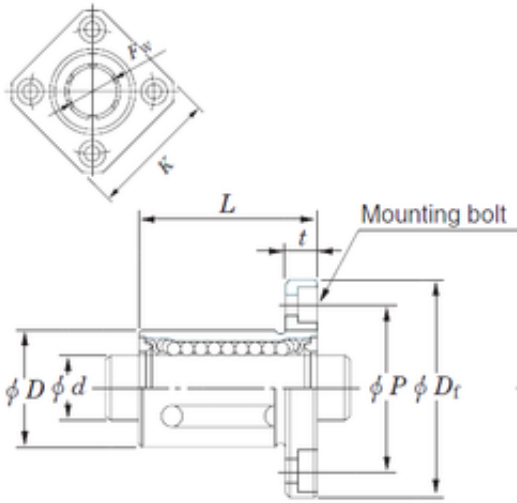




CSC BEARING GROUP limited

KOYO SDMK35 Linear bearing

Bearing No. SDMK35



SDMK35 Bearing 2D drawings and 3D CAD models

Bore Diameter	35 mm
Outer Diameter	52 mm
Fw	35 mm
D	52 mm
P	67 mm
t	10 mm
D1	82 mm
K	64 mm
L	70 mm
Bolt (G)	M6
Weight	610 Kg
Basic dynamic load rating (C)	1580 kN