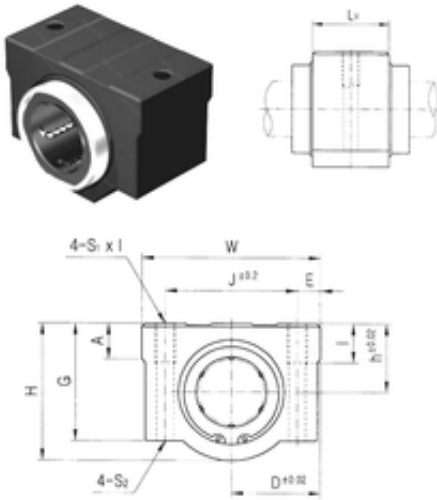




CSC BEARING GROUP limited



Samick SCE16VUU Linear bearing

Bearing No. SCE16VUU

Bore Diameter	16 mm
d	16 mm
h	19 mm
A	9 mm
D	25 mm
E	7 mm
G	32,5 mm
H	38,5 mm
J	36 mm
L	22,3 mm
S1x	M5
S2	4,3 mm
W	50 mm
Weight	0,122 Kg
Basic dynamic load rating (C)	0,77 kN

SCE16VUU Bearing 2D drawings and 3D CAD models