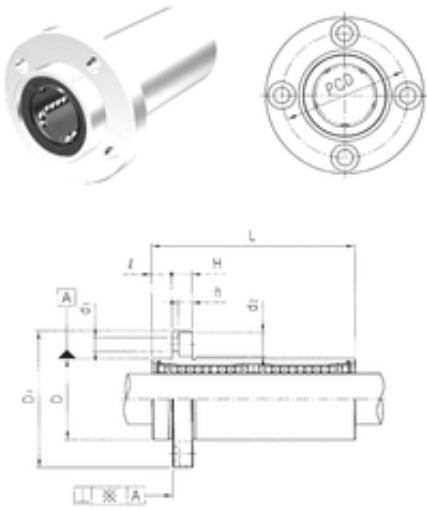




CSC BEARING GROUP limited



Samick LMEFP16L Linear bearing

Bearing No. LMEFP16L

Bore Diameter	16 mm
Outer Diameter	26 mm
d	16 mm
D	26 mm
d1	8 mm
d2	4,4 mm
h	6 mm
D1	46 mm
H	36 mm
L	70 mm
PCD	4,5 mm
	6 Tolerance h14
Tolerance perpendicularity (C)	15
Weight	0,187 Kg
Basic dynamic load rating (C)	1,23 kN

LMEFP16L Bearing 2D drawings and 3D CAD models