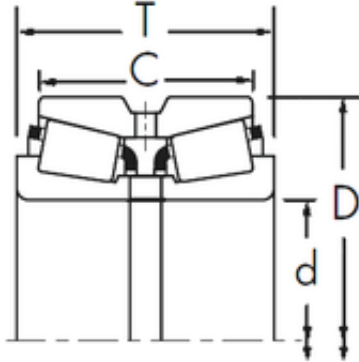




CSC BEARING GROUP limited

Timken 749/742DC+X2S-749 Double knee bearing

Bearing No. 749/742DC+X2S-749



749/742DC+X2S-749 Bearing 2D drawings and 3D CAD models

Size	85.026x155.575x101.6 mm
Bore Diameter	85,026 mm
Outer Diameter	155,575 mm
Width	101,6 mm
d	85,026 mm
D	155,575 mm
T	101,6 mm
C	85,725 mm
R	3,5 mm
r	1,5 mm