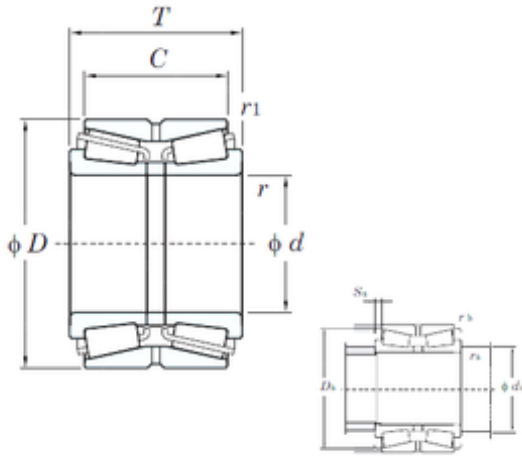




# CSC BEARING GROUP limited



## KOYO 46T32232JR/144 Double knee bearing

Bearing No. 46T32232JR/144

46T32232JR/144 Bearing 2D drawings and 3D CAD models

Size	160x290x178 mm
Bore Diameter	160 mm
Outer Diameter	290 mm
Width	178 mm
d	160 mm
D	290 mm
T	178 mm
C	144 mm
r min.	3 mm
r1 min.	1 mm
da min.	178 mm
Da min	274 mm
ra max.	3 mm
rb max.	1 mm
Weight	47,6 Kg
Basic dynamic load rating (C)	1360 kN
Basic static load rating (C0)	2420 kN
(Grease) Lubrication Speed	1000 r/min
(Oil) Lubrication Speed	1300 r/min
Calculation factor (e)	0,44
Calculation factor (Y0)	1,52
Bearing No.	46T32232JR/144
r(min)	3
r1(min)	1
Cr	1700
C0r	2420



## CSC BEARING GROUP limited

Cu	137
Grease lub.	1000
Oil lub.	1300
da(min)	178
Da(min)	284
Sa(min)	17
ra(max)	3
rb(max)	1
e	0.44
Y2	1.55
Y3	2.31
Y0	1.52
(Refer.)Mass(kg)	47.6