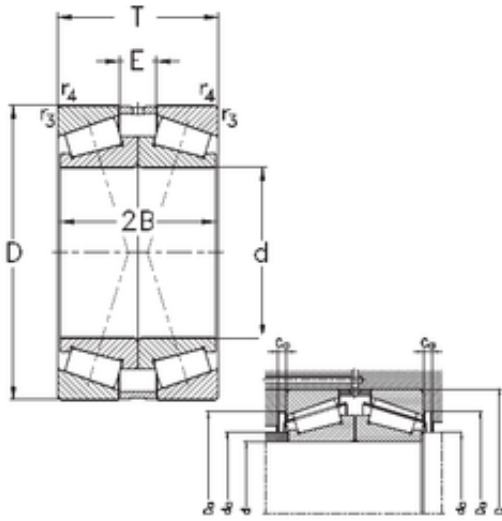




CSC BEARING GROUP limited



31313-DF Bearing 2D drawings and 3D CAD models

65 mm x 140 mm x 33 mm NKE 31313-DF Double knee bearing

Bearing No. 31313-DF

Size	65x140x72 mm
Bore Diameter	65 mm
Outer Diameter	140 mm
Width	72 mm
d	65 mm
D	140 mm
T	72 mm
B	33 mm
r3 min.	2,5 mm
r4 min.	2,5 mm
r5 min.	0,6 mm
2B	66 mm
da max	80 mm
Da min	111 mm
Da max.	128 mm
Weight	5,6 Kg
Basic dynamic load rating (C)	281 kN
Basic static load rating (C0)	378 kN
Limiting speed	4800 r/min
Calculation factor (e)	0,83
Calculation factor (Y0)	0,4
Calculation factor (Y1)	0,72