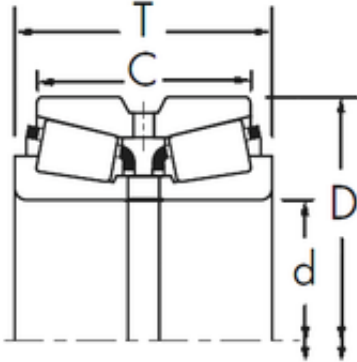




CSC BEARING GROUP limited

Timken 456/452D+X1S-456 Double knee bearing

Bearing No. 456/452D+X1S-456



456/452D+X1S-456 Bearing 2D drawings and 3D CAD models

Size	53.975x107.95x65.09 mm
Bore Diameter	53,975 mm
Outer Diameter	107,95 mm
Width	65,09 mm
d	53,975 mm
D	107,95 mm
T	65,09 mm
C	53,975 mm
R	3,5 mm
r	0,8 mm