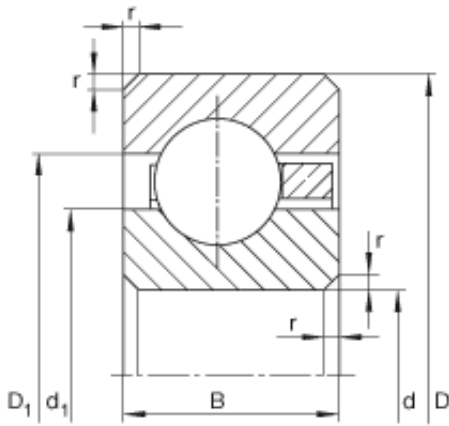




# CSC BEARING GROUP limited

14 inch x 393,7 mm x 19,05 mm INA CSCF140  
Deep ball bearings

Bearing No. CSCF140



CSCF140 Bearing 2D drawings and 3D CAD models

Size	355.6x393.7x19.05 mm
Bore Diameter	355,6 mm
Outer Diameter	393,7 mm
Width	19,05 mm
d	355,6 mm
d	14 inch
D	393,7 mm
B	19,05 mm
D <sub>1</sub>	379,6 mm
d <sub>1</sub>	369,7 mm
r <sub>min</sub>	2 mm
m	2,72 kg / Weight
C <sub>r</sub>	34500 N / Dynamic load rating (radial)
C <sub>0r</sub>	67000 N / Static load rating (radial)