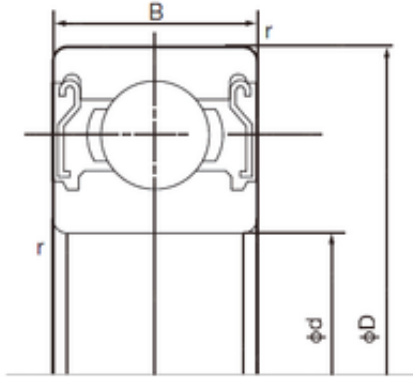




CSC BEARING GROUP limited

140 mm x 250 mm x 42 mm NACHI 6228ZZ Deep ball bearings



Bearing No. 6228ZZ

6228ZZ Bearing 2D drawings and 3D CAD models

Size	140x250x42 mm
Bore Diameter	140 mm
Outer Diameter	250 mm
Width	42 mm
d	140 mm
D	250 mm
B	42 mm
C	42 mm
r min.	3 mm
da min.	154 mm
Da max.	236 mm
ra max.	2.5 mm
Weight	7.47 Kg
Basic dynamic load rating (C)	166 kN
Basic static load rating (C0)	150 kN
Bore Type	Cylindrical Bore
Enclosure	Double Shield
Configuration	Single Row
Bore Size	140 mm
Outside Diameter	250 mm
Width	42 mm
Fillet Radius/Chamfer	3 mm
Dynamic Load Rating	166,000 N
Static Load Rating	150,000 N
Limiting Speed - Grease	2,500 rpm



CSC BEARING GROUP limited

Factor f_0	14.8
Radial Clearance	0.018 to 0.048 mm
d_a (min)	154 mm
D_a (max)	236 mm
r_a (max)	2.5 mm