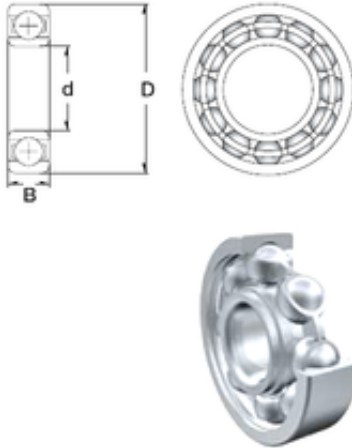




# CSC BEARING GROUP limited

320 mm x 440 mm x 56 mm ZEN 61964 Deep ball bearings



Bearing No. 61964

Size	320x440x56 mm
Bore Diameter	320 mm
Outer Diameter	440 mm
Width	56 mm
d	320 mm
D	440 mm
B	56 mm
C	56 mm
Basic dynamic load rating (C)	212 kN
Basic static load rating (C0)	290 kN
(Grease) Lubrication Speed	1200 r/min

61964 Bearing 2D drawings and 3D CAD models