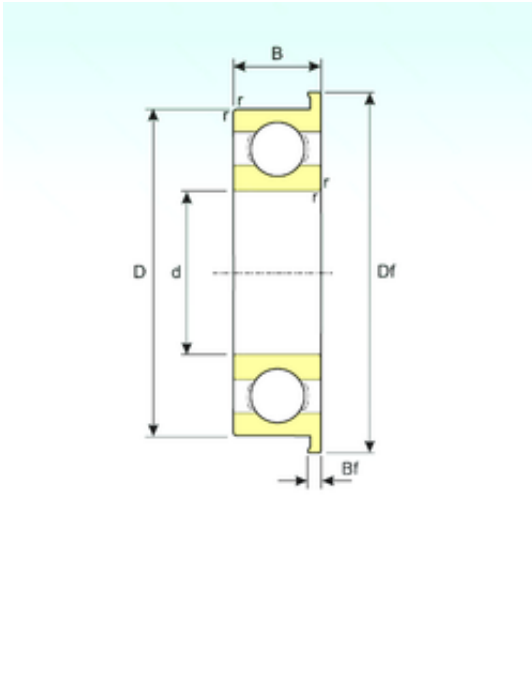




## CSC BEARING GROUP limited



F6904 Bearing 2D drawings and 3D CAD models

20 mm x 37 mm x 9 mm ISB F6904 Deep ball bearings

Bearing No. F6904

Size	20x37x9 mm
Bore Diameter	20 mm
Outer Diameter	37 mm
Width	9 mm
d	20 mm
D	37 mm
B	9 mm
C	9 mm
Bf	2 mm
Df	40 mm
r min.	0,3 mm
Basic dynamic load rating (C)	6,37 kN