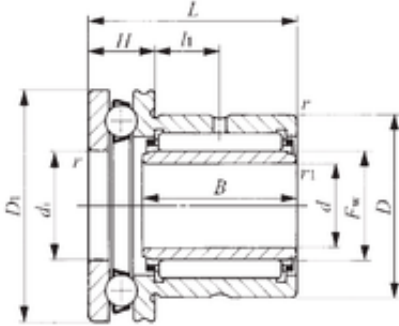




CSC BEARING GROUP limited

9 mm x 21 mm x 16 mm IKO NAXI 923 Compound bearing



Bearing No. NAXI 923

| | |
|--------------------------------|-----------|
| Bore Diameter | 9 mm |
| Outer Diameter | 21 mm |
| d | 9 mm |
| Fw | 12 mm |
| D | 21 mm |
| D1 | 26 mm |
| B | 16 mm |
| d1 | 12 mm |
| r min. | 0,3 mm |
| r1 min. | 0,3 mm |
| H | 9 mm |
| L | 23 mm |
| L1 | 6,5 mm |
| da min. | 20 mm |
| db | 11 mm |
| Weight | 0,0495 Kg |
| Dynamic load rating radial (C) | 9,25 kN |
| Dynamic load rating axial (C) | 9,67 kN |
| Static load rating radial (C0) | 11,2 kN |
| Static load rating axial (C0) | 11,1 kN |

NAXI 923 Bearing 2D drawings and 3D CAD models