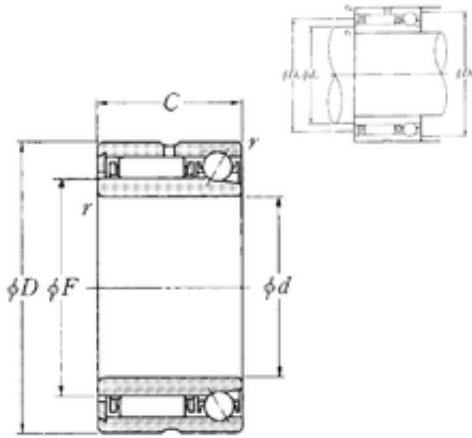




CSC BEARING GROUP limited

25 mm x 42 mm x 23 mm NTN NKIA5905 Compound bearing



Bearing No. NKIA5905

Size	25x42x23 mm
Bore Diameter	25 mm
Outer Diameter	42 mm
Width	23 mm
d	25 mm
F	30 mm
D	42 mm
B	23 mm
C	23 mm
r min.	0,3 mm
da min.	27,5 mm
Da max.	33 mm
ra max.	0,3 mm
Db max	39,5 mm
Weight	0,13 Kg
Dynamic load rating radial (C)	17,4 kN
Dynamic load rating axial (C)	5,1 kN
Static load rating radial (C0)	25 kN
Static load rating axial (C0)	7,35 kN
(Grease) Lubrication Speed	8500 r/min

NKIA5905 Bearing 2D drawings and 3D CAD models