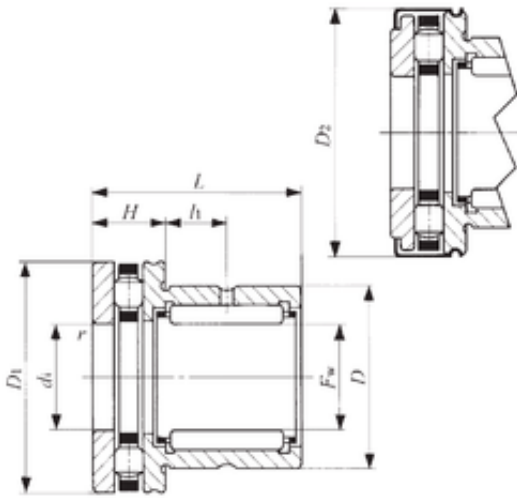




CSC BEARING GROUP limited



NBX 6040Z Bearing 2D drawings and 3D CAD models

IKO NBX 6040Z Compound bearing

Bearing No. NBX 6040Z

Bore Diameter	60 mm
Outer Diameter	72 mm
Fw	60 mm
D	72 mm
D1	85 mm
D2	86,5 mm
d1	60 mm
r min.	1 mm
H	17 mm
L	40 mm
L1	12 mm
da min.	82 mm
Weight	0,538 Kg
Dynamic load rating radial (C)	47,5 kN
Dynamic load rating axial (C)	64,6 kN
Static load rating radial (C0)	103 kN
Static load rating axial (C0)	224 kN