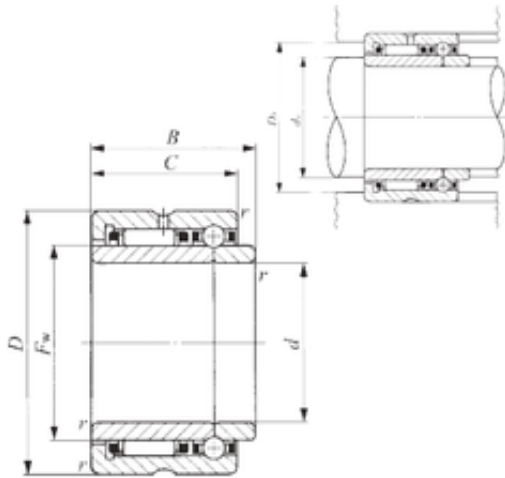




CSC BEARING GROUP limited



50 mm x 72 mm x 34 mm IKO NATB 5910 Compound bearing

Bearing No. NATB 5910

Size	50x72x34 mm
Bore Diameter	50 mm
Outer Diameter	72 mm
Width	34 mm
d	50 mm
Fw	58 mm
D	72 mm
B	34 mm
C	30 mm
r min.	0,6 mm
da min.	54 mm
Da max.	68 mm
Weight	0,445 Kg
Dynamic load rating radial (C)	33,6 kN
Dynamic load rating axial (C)	5,66 kN
Static load rating radial (C0)	72,5 kN
Static load rating axial (C0)	13,6 kN

NATB 5910 Bearing 2D drawings and 3D CAD models