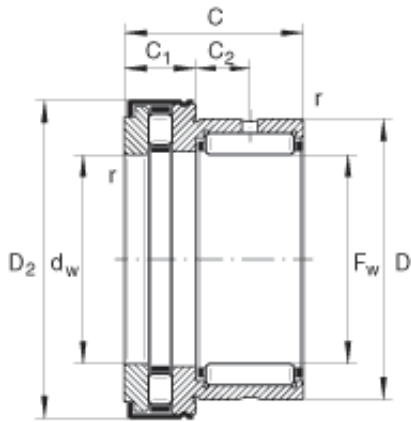




CSC BEARING GROUP limited



NKXR20-Z Bearing 2D drawings and 3D CAD models

INA NKXR20-Z Compound bearing

Bearing No. NKXR20-Z

| | |
|---------------------------------|--|
| Size | 20x30x30 mm |
| Bore Diameter | 20 mm |
| Outer Diameter | 30 mm |
| Width | 30 mm |
| F_w | 20 mm |
| D | 30 mm |
| C - 30 mm / Tolerance: -0,25 | 30 mm / Tolerance: 0,25 |
| C_1 - 10 mm / Tolerance: -0,2 | 10 mm / Tolerance: 0,2 |
| C_2 | 10,5 mm |
| $D_{2\max}$ | 36,2 mm |
| d_a | 30,7 mm |
| d_w | 20 mm / Tolerance: E8 |
| $r_{a\max}$ | 0,3 mm |
| r_{\min} | 0,3 mm |
| | NAXR20Z / Designation to DIN 5429 |
| m | 84 g / Weight |
| C_r | 18600 N / Dynamic load rating (radial) |
| C_{0r} | 23800 N / Static load rating (radial) |
| C_a | 25000 N / Dynamic load rating (axial) |
| C_{0a} | 53000 N / Static load rating (axial) |
| | |



CSC BEARING GROUP limited

| | |
|----------------------------|--|
| C_{ur} | 4150 N / Fatigue limit load, radial |
| C_{ua} | 7300 N / Fatigue limit load, axial |
| n_G | 10000 1/min / Limiting speed |
| n_B | 4200 1/min / Reference speed |
| | IR17X20X20 / Suitable inner ring |
| Category | Thrust Roller Bearing |
| Inventory | 0.0 |
| Manufacturer Name | SCHAEFFLER GROUP |
| Minimum Buy Quantity | N/A |
| Weight / Kilogram | 0.084 |
| EAN | 4012802736250 |
| Product Group | B00234 |
| Rolling Element | Combination - Needle Roller and Thrust Roller Bearing |
| Self Aligning | No |
| Component Description | Roller Assembly plus Raceways |
| Thrust Bearing | Yes |
| Single or Double Direction | Single Direction |
| Banded | No |
| Cage Material | Steel |
| Precision Class | ABEC 1 ISO P0 |
| Other Features | With Grease Retaining Cap |
| Long Description | 20MM Bore 1; 20MM Bore 2; 30MM Outside Diameter; 30MM Height; Combination - Needle Roller and Thrust Roller Bearing; Single Direction; Not Self Aligning; Not Banded; Steel Cage; ABEC 1 |



CSC BEARING GROUP limited

| | |
|-------------------------------------|---|
| | ISO P0; Rolle |
| Inch - Metric | Metric |
| Category | Thrust Roller Bearings |
| UNSPSC | 31171537 |
| Harmonized Tariff Code | 8482.80.00.80 |
| Noun | Bearing |
| Keyword String | Combination |
| Manufacturer URL | http://www.ina.com |
| Manufacturer Item Number | NKXR20Z |
| Weight / LBS | 0.176 |
| Bore 1 | 0.787 Inch 20 Millimeter |
| Bore 2 | 0.787 Inch 20 Millimeter |
| Overall Height with Aligning Washer | 0 Inch 0 Millimeter |
| Height | 1.181 Inch 30 Millimeter |
| Outside Diameter | 1.181 Inch 30 Millimeter |