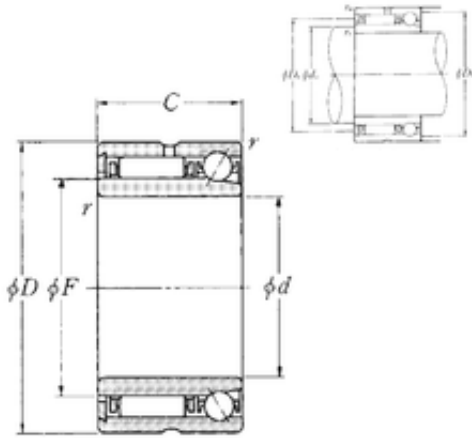




CSC BEARING GROUP limited

15 mm x 28 mm x 18 mm NTN NKIA5902 Compound bearing

Bearing No. NKIA5902



NKIA5902 Bearing 2D drawings and 3D CAD models

Size	15x28x18 mm
Bore Diameter	15 mm
Outer Diameter	28 mm
Width	18 mm
d	15 mm
F	20 mm
D	28 mm
B	18 mm
C	18 mm
r min.	0,3 mm
da min.	17,5 mm
Da max.	22 mm
ra max.	0,3 mm
Db max	25,5 mm
Weight	0,05 Kg
Dynamic load rating radial (C)	9,5 kN
Dynamic load rating axial (C)	2,34 kN
Static load rating radial (C0)	13,4 kN
Static load rating axial (C0)	3,05 kN
(Grease) Lubrication Speed	13000 r/min