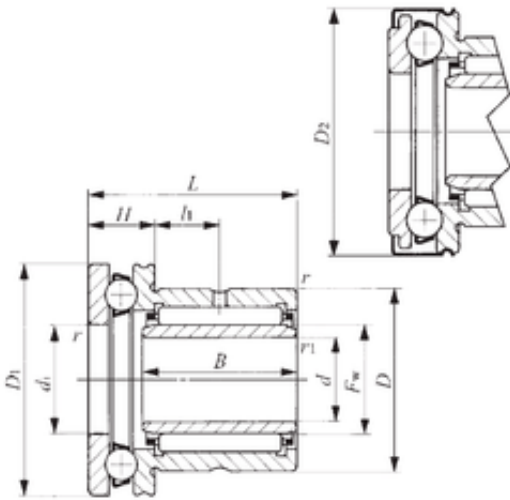




CSC BEARING GROUP limited

30 mm x 47 mm x 20 mm IKO NAXI 3030Z Compound bearing

Bearing No. NAXI 3030Z



NAXI 3030Z Bearing 2D drawings and 3D CAD models

Bore Diameter	30 mm
Outer Diameter	47 mm
d	30 mm
Fw	35 mm
D	47 mm
D1	52 mm
D2	53 mm
B	20 mm
d1	35 mm
r min.	0,6 mm
r1 min.	0,3 mm
H	12 mm
L	30 mm
L1	9 mm
da min.	45 mm
db	34 mm
Weight	0,215 Kg
Dynamic load rating radial (C)	26,9 kN
Dynamic load rating axial (C)	21,2 kN
Static load rating radial (C0)	46,2 kN
Static load rating axial (C0)	37,6 kN