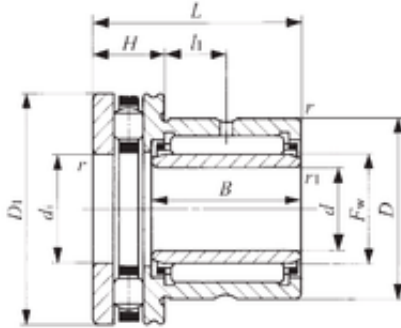




# CSC BEARING GROUP limited

## 17 mm x 30 mm x 20,5 mm IKO NBXI 1730 Compound bearing



Bearing No. NBXI 1730

NBXI 1730 Bearing 2D drawings and 3D CAD models

Bore Diameter	17 mm
Outer Diameter	30 mm
d	17 mm
Fw	20 mm
D	30 mm
D1	35 mm
B	20,5 mm
d1	20 mm
r min.	0,3 mm
r1 min.	0,3 mm
H	10 mm
L	30 mm
L1	10,5 mm
da min.	33 mm
db	19 mm
Weight	0,108 Kg
Dynamic load rating radial (C)	17,6 kN
Dynamic load rating axial (C)	19 kN
Static load rating radial (C0)	25,4 kN
Static load rating axial (C0)	48,7 kN
Category	Bearings
Inventory	0.0
Manufacturer Name	IKO
Minimum Buy Quantity	N/A



## CSC BEARING GROUP limited

Weight / Kilogram	0
Product Group	B04144