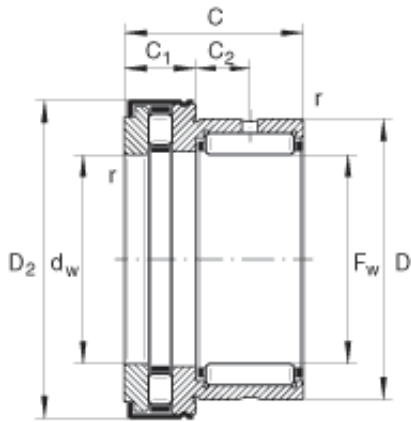




CSC BEARING GROUP limited



NKXR30-Z Bearing 2D drawings and 3D CAD models

INA NKXR30-Z Compound bearing

Bearing No. NKXR30-Z

Size	30x42x30 mm
Bore Diameter	30 mm
Outer Diameter	42 mm
Width	30 mm
F_w	30 mm
D	42 mm
C - 30 mm / Tolerance: -0,25	30 mm / Tolerance: 0,25
C_1 - 11 mm / Tolerance: -0,2	11 mm / Tolerance: 0,2
C_2	9,5 mm
$D_{2\max}$	48,2 mm
d_a	42,7 mm
d_w	30 mm / Tolerance: E8
$r_{a\max}$	0,6 mm
r_{\min}	0,6 mm
	NAXR30Z / Designation to DIN 5429
m	141 g / Weight
C_r	25500 N / Dynamic load rating (radial)
C_{0r}	36000 N / Static load rating (radial)
C_a	35500 N / Dynamic load rating (axial)
C_{0a}	86000 N / Static load rating (axial)



CSC BEARING GROUP limited

C_{ur}	6300 N / Fatigue limit load, radial
C_{ua}	8000 N / Fatigue limit load, axial
n_G	7500 1/min / Limiting speed
n_B	2900 1/min / Reference speed
	IR25X30X20 / Suitable inner ring
Category	Thrust Roller Bearing
Inventory	0.0
Manufacturer Name	SCHAEFFLER GROUP
Minimum Buy Quantity	N/A
Weight / Kilogram	0.169
EAN	4012802844849
Product Group	B00234
Rolling Element	Combination - Needle Roller and Thrust Roller Bearing
Self Aligning	No
Component Description	Roller Assembly plus Raceways
Thrust Bearing	Yes
Single or Double Direction	Single Direction
Banded	No
Cage Material	Steel
Precision Class	ABEC 1 ISO P0
Other Features	With Grease Retaining Cap
Long Description	30MM Bore 1; 30MM Bore 2; 42MM Outside Diameter; 30MM Height; Combination - Needle Roller and Thrust Roller Bearing; Single Direction; Not Self Aligning; Not Banded; Steel Cage; ABEC 1 ISO P0; Rolle



CSC BEARING GROUP limited

Inch - Metric	Metric
Category	Thrust Roller Bearings
UNSPSC	31171537
Harmonized Tariff Code	8482.80.00.80
Noun	Bearing
Keyword String	Combination
Manufacturer URL	http://www.ina.com
Manufacturer Item Number	NKXR30Z
Weight / LBS	0.298
Bore 1	1.181 Inch 30 Millimeter
Outside Diameter	1.654 Inch 42 Millimeter
Bore 2	1.181 Inch 30 Millimeter
Height	1.181 Inch 30 Millimeter
Overall Height with Aligning Washer	0 Inch 0 Millimeter