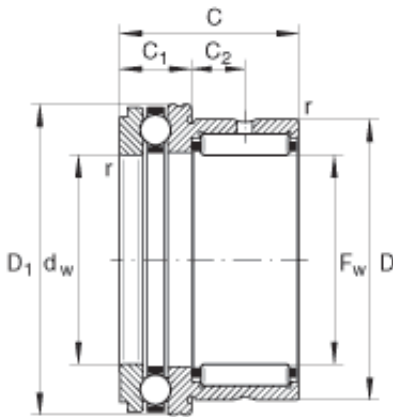




# CSC BEARING GROUP limited



NKX35 Bearing 2D drawings and 3D CAD models

## INA NKX35 Compound bearing

Bearing No. NKX35

Size	35x47x30 mm
Bore Diameter	35 mm
Outer Diameter	47 mm
Width	30 mm
$F_w$	35 mm
D	47 mm
C - 30 mm / Tolerance: -0,25	30 mm / Tolerance: 0,25
$C_1$ - 12 mm / Tolerance: -0,2	12 mm / Tolerance: 0,2
$C_2$	9 mm
$D_{1\max}$	52,1 mm
$d_a$	47,7 mm
$d_w$	35 mm / Tolerance: E8
$r_{a\max}$	0,6 mm
$r_{\min}$	0,6 mm
	NAXK35 / Designation to DIN 5429
m	163 g / Weight
$C_r$	27500 N / Dynamic load rating (radial)
$C_{0r}$	41500 N / Static load rating (radial)
$C_a$	21200 N / Dynamic load rating (axial)
$C_{0a}$	47000 N / Static load rating (axial)



## CSC BEARING GROUP limited

C <sub>ur</sub>	7300 N / Fatigue limit load, radial
C <sub>ua</sub>	2270 N / Fatigue limit load, axial
n <sub>G</sub>	4600 1/min / Limiting speed
	IR30X35X20 / Suitable inner ring
Category	Thrust Roller Bearing
Inventory	7.0
Manufacturer Name	SCHAEFFLER GROUP
Minimum Buy Quantity	N/A
Weight / Kilogram	0.16
EAN	4012802732184
Product Group	B00234
Rolling Element	Combination - Needle Roller and Thrust Ball Bearing
Self Aligning	No
Component Description	Roller Assembly plus Raceways
Thrust Bearing	Yes
Single or Double Direction	Single Direction
Banded	No
Cage Material	Steel
Precision Class	ABEC 1   ISO P0
Long Description	35MM Bore 1; 35MM Bore 2; 47MM Outside Diameter; 30MM Height; Combination - Needle Roller and Thrust Ball Bearing; Single Direction; Not Self Aligning; Not Banded; Steel Cage; ABEC 1   ISO P0; Roller
Inch - Metric	Metric
Category	Thrust Roller Bearings



## CSC BEARING GROUP limited

UNSPSC	31171537
Harmonized Tariff Code	8482.80.00.40
Noun	Bearing
Keyword String	Combination
Manufacturer URL	<a href="http://www.ina.com">http://www.ina.com</a>
Manufacturer Item Number	NKX35
Weight / LBS	0.359
Outside Diameter	1.85 Inch   47 Millimeter
Height	1.181 Inch   30 Millimeter
Bore 1	1.378 Inch   35 Millimeter
Overall Height with Aligning Washer	0 Inch   0 Millimeter
Bore 2	1.378 Inch   35 Millimeter