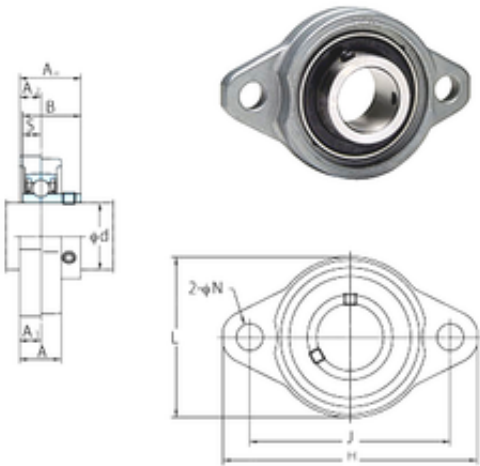




CSC BEARING GROUP limited

FYH UFL003 Bearing unit

Bearing No. UFL003



UFL003 Bearing 2D drawings and 3D CAD models

Bore Diameter	17 mm
d	17 mm
A0	18,5 mm
A	14 mm
A1	7 mm
B	17,5 mm
H	71 mm
J	56 mm
L	46 mm
N	7 mm
S	6 mm
Bolt (G)	M6
A2	7 mm
Weight	0,11 Kg
Basic dynamic load rating (C)	6 kN
Basic static load rating (C0)	3,25 kN
Category	Mounted Units & Inserts
Inventory	0.0
Manufacturer Name	FYH BEARING UNITS
Minimum Buy Quantity	N/A
Weight / Kilogram	0.2
Product Group	M06110