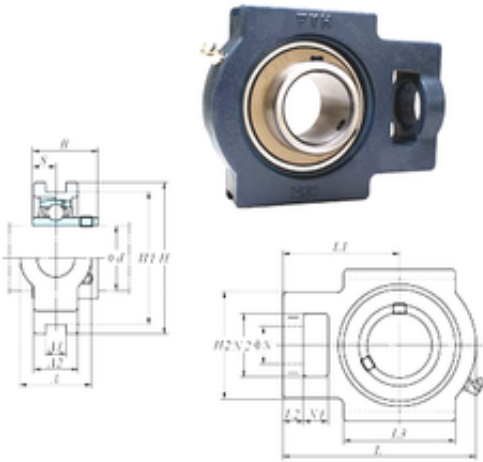




# CSC BEARING GROUP limited

## FYH UCT214 Bearing unit

Bearing No. UCT214



UCT214 Bearing 2D drawings and 3D CAD models

Bore Diameter	70 mm
d	70 mm
L2	21 mm
L3	121 mm
A	70 mm
A1	26 mm
B	74,6 mm
H	167 mm
H1	151 mm
H2	111 mm
L	224 mm
L1	137 mm
N	41 mm
N1	32 mm
S	30,2 mm
A2	46 mm
N2	70 mm
Weight	7 Kg
Basic dynamic load rating (C)	62,2 kN
Basic static load rating (C0)	44,1 kN
Category	Mounted Units & Inserts
Inventory	0.0
Manufacturer Name	FYH BEARING UNITS
Minimum Buy Quantity	N/A
Weight / Kilogram	0
Product Group	M06110



# CSC BEARING GROUP limited