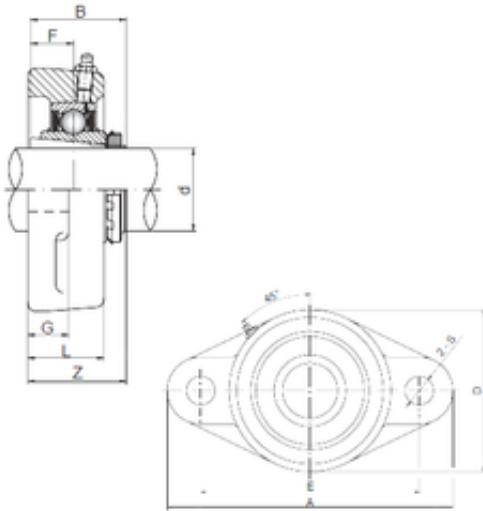




CSC BEARING GROUP limited

35 mm x 100 mm x 46 mm ISO UKFL208

Bearing unit



Bearing No. UKFL208

| | |
|---------------|---------|
| Bore Diameter | 35 mm |
| Width | 46 mm |
| d | 35 mm |
| Z | 46,5 mm |
| A | 175 mm |
| B | 46 mm |
| D | 100 mm |
| E | 144 mm |
| F | 21 mm |
| G | 14 mm |
| L | 36 mm |
| S | 16 mm |
| Bolt (G) | M14 |

UKFL208 Bearing 2D drawings and 3D CAD models