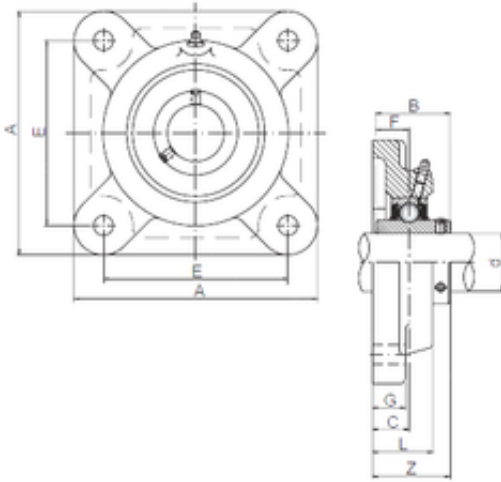




CSC BEARING GROUP limited



ISO UCFX08 Bearing unit

Bearing No. UCFX08

Bore Diameter	40 mm
Width	49,2 mm
d	40 mm
Z	52,2 mm
A	137 mm
B	49,2 mm
C	22 mm
E	105 mm
F	19 mm
G	14 mm
L	40 mm
S	19 mm
Bolt (G)	M16

UCFX08 Bearing 2D drawings and 3D CAD models