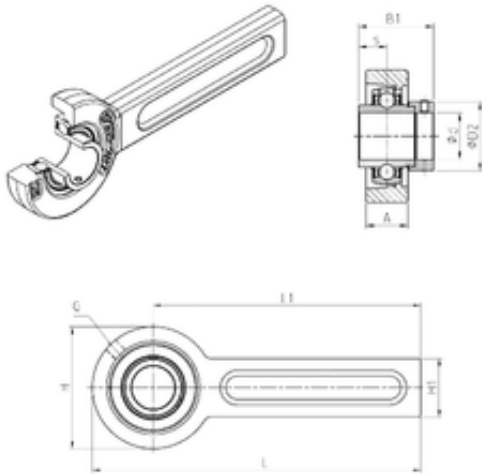




CSC BEARING GROUP limited



SNR EXSP205 Bearing unit

Bearing No. EXSP205

| | |
|-------------------------------|---------|
| Bore Diameter | 25 mm |
| d | 25 mm |
| s | 17,4 mm |
| A | 21 mm |
| B1 | 44,3 mm |
| D2 | 38,1 mm |
| H | 78 mm |
| H1 | 41 mm |
| L | 264 mm |
| L1 | 225 mm |
| Thread (G) | R1/8" |
| Weight | 1,8 Kg |
| Basic dynamic load rating (C) | 14 kN |
| B | 34.8 mm |
| A5 | 17.4 mm |
| d1 | 37.4 mm |
| G | R1/8" |
| H2 | 41 mm |
| s1 | 30.9 mm |
| S | 17.4 mm |
| SW | 3 mm |
| C | 14 kN |
| C0 | 7.88 kN |
| T min. | -20 ° C |
| T max. | 100 ° C |
| Recommended tightening | 5.5 Nm |

EXSP205 Bearing 2D drawings and 3D CAD models



CSC BEARING GROUP limited

| | |
|------------------------|---------------|
| torque for set screw | |
| Designation of housing | SP203-205/52- |
| Designation of bearing | EX205G2 |