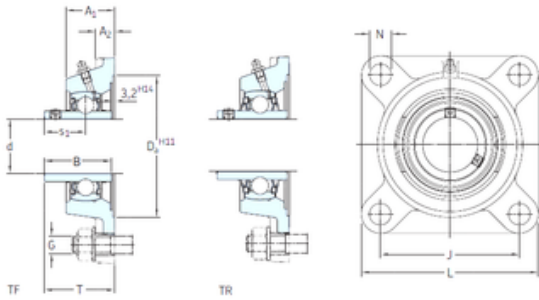




CSC BEARING GROUP limited

SKF FY 1.15/16 FM Bearing unit

Bearing No. FY 1.15/16 FM



FY 1.15/16 FM Bearing 2D drawings and 3D CAD models

Bore Diameter	49,213 mm
d	49,213 mm
s1	32,7 mm
A1	43 mm
B1	43,7 mm
G	14 mm
J	111 mm
L	143 mm
T	60,7 mm
A2	15 mm
Weight	2,55 Kg
Basic dynamic load rating (C)	35,1 kN
Basic static load rating (C0)	23,2 kN
Fatigue load limit (Pu)	0,98
Category	Flange Block Bearings
Inventory	0.0
Manufacturer Name	SKF
Minimum Buy Quantity	N/A
Weight / Kilogram	2.422
EAN	7316576613654
Product Group	M06110
Number of Mounting Holes	4
Mounting Method	Eccentric Collar
Housing Style	4 Bolt Square Flange Block
Rolling Element	Ball Bearing
Housing Material	Cast Iron



CSC BEARING GROUP limited

Expansion / Non-expansion	Non-expansion
Mounting Bolts	9/16 Inch
Relubricatable	Yes
Insert Part Number	YET 210-115
Seals	M Seal
Housing Configuration	1 Piece Solid
Pilot Configuration	No Pilot
Inch - Metric	Inch
Long Description	4 Bolt Square Flange Block; 1-15/16" Bore; 6.2" Bolt Circle; 4-3/8" Bolt Spacing; 1 Piece Solid; Eccentric Collar Mount; Cast Iron; Ball Bearing; 1-23/32" Length Thru Bore; Relubri
Other Features	Single Row Standard Duty Narrow Inner Race Open End Y Bearing
Category	Flange Block
UNSPSC	31171501
Harmonized Tariff Code	8483.20.40.40
Noun	Bearing
Keyword String	Flanged
Manufacturer URL	http://www.skf.com
Manufacturer Item Number	FY 1.15/16 FM
Weight / LBS	5.73
Bore	1.938 Inch 49.225 Millimeter
Nominal Bolt Circle Diameter Round	6.2 Inch 157 Millimeter
Cartridge Pilot Diameter	0 Inch 0 Millimeter
Length Thru Bore	1.719 Inch 43.663 Millimeter
Cartridge Pilot Depth	0 Inch 0 Millimeter
Bolt Spacing	4.375 Inch 111.13 Millimeter



CSC BEARING GROUP limited

Housing material	Cast iron
D_a	125.4 mm
D_{b1}	107 mm
D_{b2}	118 mm
A	43 mm
A_1	15 mm
A_3	3.2 mm
A_5	33 mm
B_1	43.7 mm
N	18 mm
s_1	32.7 mm
R_G	1/4-28 UNF
R_1	28.5 mm
D_N	6.5 mm
SW_N	7 mm
G_N	1/4-28 SAE-LT
J_6	129 mm
J_7	35.5 mm
N_4	4 mm
Basic dynamic load rating C	35.1 kN
Basic static load rating C_0	23.2 kN
Fatigue load limit P_u	0.98 kN
Limiting speed	4000 r/min
Mass bearing unit	2.3 kg
Thread grub screw G_2	3/8-24 UNF
Hexagonal key size for grub screw N	4.763 mm
Recommended tightening torque for grub screw	16.5 N · m
Recommended diameter for attachment bolts, mm G	16 mm
Recommended diameter for attachment bolts, inch G	0.625 in