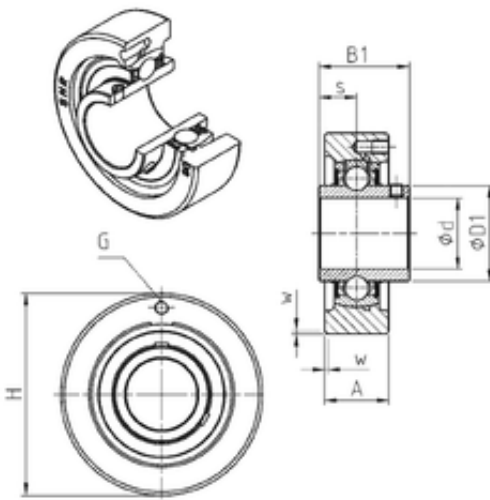




CSC BEARING GROUP limited

SNR UCC328 Bearing unit

Bearing No. UCC328



UCC328 Bearing 2D drawings and 3D CAD models

Bore Diameter	140 mm
d	140 mm
s	59 mm
A	100 mm
B1	145 mm
D1	190 mm
H	360 mm
W	5 mm
Thread (G)	M10x1
Weight	45,5 Kg
Basic dynamic load rating (C)	275 kN
B	145 mm
A3	5 mm
A5	86 mm
G	M10x1
s1	72.5 mm
S	59 mm
SW	10 mm
C	275 kN
C0	272 kN
T min.	-20 ° C
T max.	100 ° C
Recommended tightening torque for set screw	120 Nm
Designation of housing	C328-
Designation of bearing	UC328G2



CSC BEARING GROUP limited