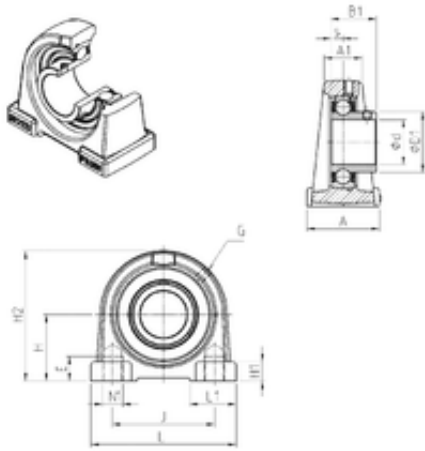




# CSC BEARING GROUP limited



## SNR USPAE202 Bearing unit

Bearing No. USPAE202

Bore Diameter	15 mm
d	15 mm
s	6 mm
A	30 mm
A1	18 mm
B1	22 mm
D1	24,6 mm
E	10 mm
H	30,2 mm
H1	9 mm
H2	57 mm
J	47 mm
L	63 mm
L1	17,5 mm
Thread (G)	M6x1
Thread (N1)	M8
Weight	0,3 Kg
Basic dynamic load rating (C)	9,55 kN

USPAE202 Bearing 2D drawings and 3D CAD models