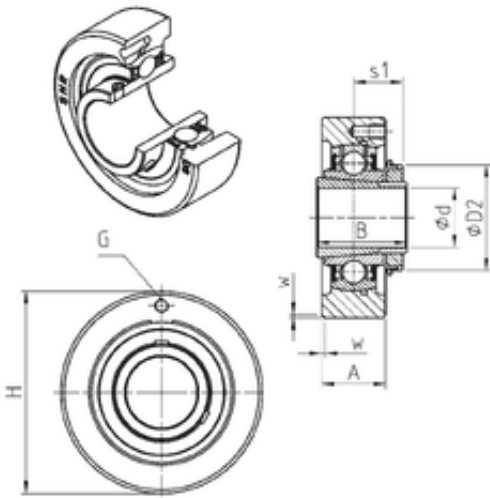




CSC BEARING GROUP limited

SNR UKC207H Bearing unit

Bearing No. UKC207H



UKC207H Bearing 2D drawings and 3D CAD models

| | |
|-------------------------------|----------|
| Bore Diameter | 30 mm |
| Width | 43 mm |
| d | 30 mm |
| s1 | 22,5 mm |
| A | 28 mm |
| B | 43 mm |
| D2 | 52 mm |
| H | 90 mm |
| W | 2 mm |
| Thread (G) | M6x1 |
| Weight | 1,1 Kg |
| Basic dynamic load rating (C) | 25,7 kN |
| A3 | 2 mm |
| A5 | 22.5 mm |
| B1 | 43 mm |
| d1 | 52 mm |
| G | M6x1 |
| C | 25.7 kN |
| C0 | 15.2 kN |
| T min. | -20 ° C |
| T max. | 100 ° C |
| Adapter sleeve reference | H2307 |
| Designation of housing | C207- |
| Designation of bearing | UK207G2H |