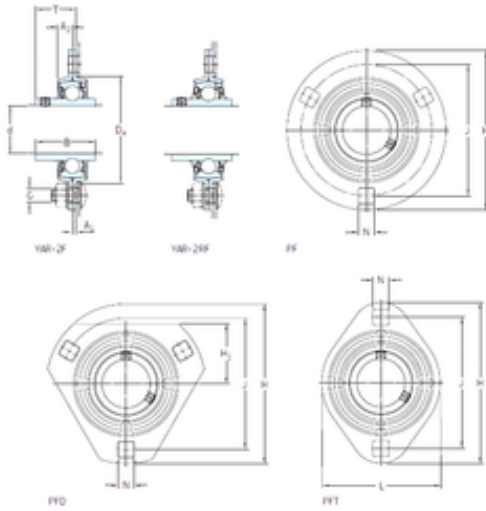




# CSC BEARING GROUP limited



PFT 35 RM Bearing 2D drawings and 3D CAD models

## SKF PFT 35 RM Bearing unit

Bearing No. PFT 35 RM

Bore Diameter	35 mm
Width	33 mm
d	35 mm
Da	81 mm
A1	2,5 mm
B	33 mm
G	10 mm
H	122 mm
H1	– mm
J	100 mm
L	94 mm
N	11 mm
T	25,8 mm
A2	10 mm
Weight	0,55 Kg
Basic dynamic load rating (C)	25,5 kN
Basic static load rating (C0)	15,3 kN
Housing material	Pressed steel
D <sub>a</sub> min.	77 mm
A <sub>1</sub>	2.5 mm
A <sub>2</sub>	10 mm
B <sub>4</sub>	6 mm
s <sub>1</sub>	23.3 mm
Basic dynamic load rating C	25.5 kN
Basic static load rating C <sub>0</sub>	15.3 kN
Fatigue load limit P <sub>u</sub>	0.655 kN



## CSC BEARING GROUP limited

Limiting speed	5300 r/min
Mass bearing unit	0.51 kg
Thread grub screw G <sub>2</sub>	M6x0.75
Hexagonal key size for grub screw N	3 mm
Recommended tightening torque for grub screw	4 N · m
Recommended diameter for attachment bolts, mm G	10 mm
Recommended diameter for attachment bolts, inch G	0.375 in