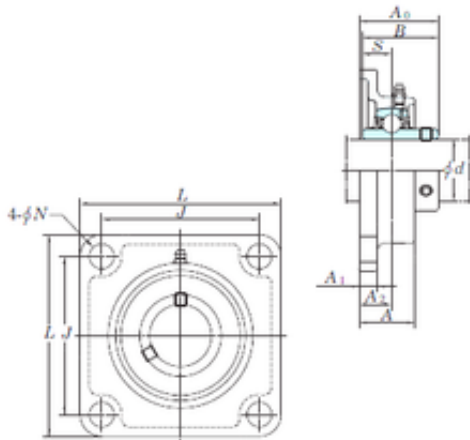




CSC BEARING GROUP limited

KOYO UCSF204H1S6 Bearing unit

Bearing No. UCSF204H1S6



UCSF204H1S6 Bearing 2D drawings and 3D CAD models

Bore Diameter	20 mm
d	20 mm
A0	33,3 mm
A	26 mm
A1	10 mm
B	31 mm
J	64 mm
L	86 mm
N	12 mm
S	12,7 mm
Bolt (G)	M10
A2	15 mm
Weight	0,5 Kg
Basic dynamic load rating (C)	10,9 kN
Basic static load rating (C0)	5,35 kN