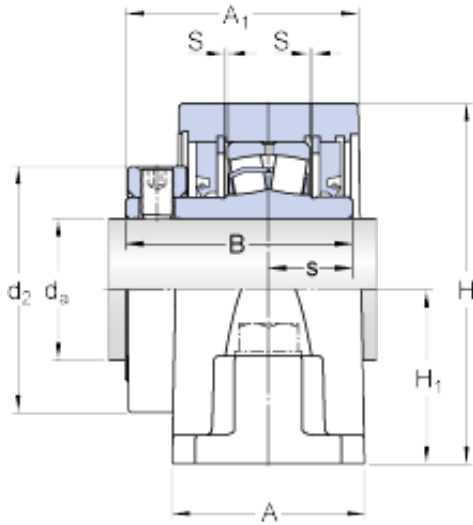




# CSC BEARING GROUP limited



SYR 3 15/16-3 Bearing 2D drawings and 3D CAD models

## SKF SYR 3 15/16-3 Bearing unit

Bearing No. SYR 3 15/16-3

|                               |                         |
|-------------------------------|-------------------------|
| Size                          | 100.012x152.4x89.694 mm |
| Bore Diameter                 | 100,012 mm              |
| Outer Diameter                | 152,4 mm                |
| Width                         | 89,694 mm               |
| $d_a$                         | 100.012 mm              |
| $d_2$                         | 152.4 mm                |
| A                             | 89.694 mm               |
| $A_1$                         | 121.047 mm              |
| B                             | 116.681 mm              |
| H                             | 213.519 mm              |
| $H_1$                         | 104.775 mm              |
| $H_2$                         | 63.5 mm                 |
| L                             | 361.95 mm               |
| J - max.                      | 311.15 mm               |
| J - min.                      | 254 mm                  |
| s                             | 41.275 mm               |
| S                             | 0.794 mm                |
| Basic dynamic load rating - C | 311 kN                  |
| Limiting speed                | 700 r/min               |
| $d_a$                         | 100.013 mm              |
| $d_2$                         | 152.4 mm                |
| $A_1$                         | 121.047 mm              |
| $H_1$                         | 104.775 mm              |
| $H_2$                         | 63.5 mm                 |
| J max.                        | 311.15 mm               |



## CSC BEARING GROUP limited

|                             |         |
|-----------------------------|---------|
| J min.                      | 254 mm  |
| Basic dynamic load rating C | 311 kN  |
| Mass bearing unit           | 19.7 kg |
| Attachment bolt diameter G  | 25.4 mm |