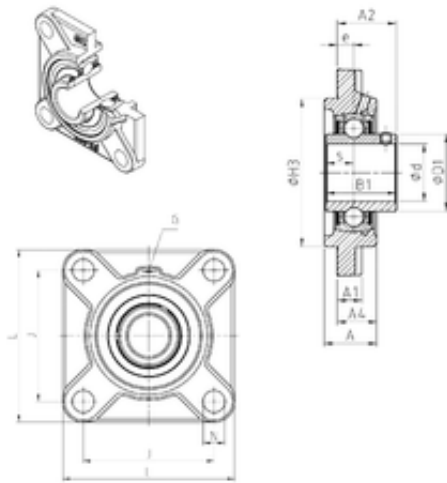




# CSC BEARING GROUP limited



## SNR UCFS328 Bearing unit

Bearing No. UCFS328

Bore Diameter	140 mm
d	140 mm
H3	400 mm
A4	95 mm
e	45 mm
s	59 mm
A	125 mm
A1	55 mm
B1	145 mm
D1	190 mm
J	350 mm
L	450 mm
N	41 mm
Thread (G)	M10x1
A2	131 mm
Weight	92,8 Kg
Basic dynamic load rating (C)	275 kN

UCFS328 Bearing 2D drawings and 3D CAD models