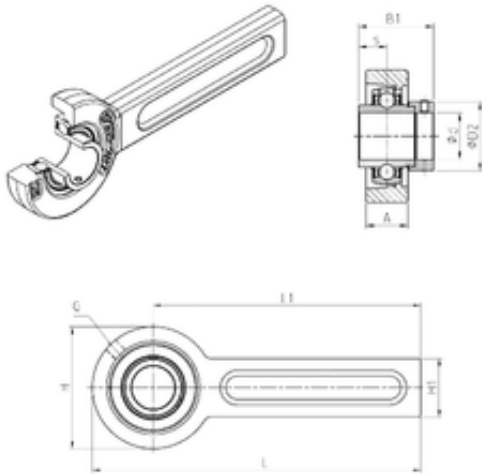




CSC BEARING GROUP limited



SNR EXSP209 Bearing unit

Bearing No. EXSP209

Bore Diameter	45 mm
d	45 mm
s	21,4 mm
A	31 mm
B1	56,3 mm
D2	63,5 mm
H	120 mm
H1	61 mm
L	320 mm
L1	260 mm
Thread (G)	R1/8"
Weight	4,4 Kg
Basic dynamic load rating (C)	31,85 kN
B	42.8 mm
A5	21.4 mm
d1	62 mm
G	R1/8"
H2	61 mm
s1	39.7 mm
S	21.4 mm
SW	4 mm
C	31.85 kN
C0	20.8 kN
T min.	-20 ° C
T max.	100 ° C
Recommended tightening	11.5 Nm

EXSP209 Bearing 2D drawings and 3D CAD models



CSC BEARING GROUP limited

torque for set screw	
Designation of housing	SP208-210/85-
Designation of bearing	EX209G2