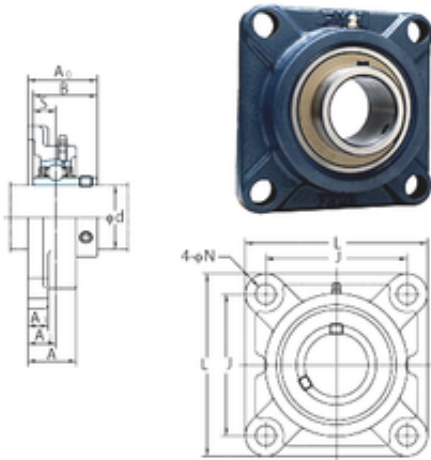




CSC BEARING GROUP limited

FYH UCF214-44 Bearing unit

Bearing No. UCF214-44



UCF214-44 Bearing 2D drawings and 3D CAD models

| | |
|-------------------------------|----------|
| Bore Diameter | 69,85 mm |
| d | 69,85 mm |
| A0 | 75,4 mm |
| A | 54 mm |
| A1 | 22 mm |
| B | 74,6 mm |
| J | 152 mm |
| L | 193 mm |
| N | 19 mm |
| S | 30,2 mm |
| Bolt (G) | M16 |
| A2 | 31 mm |
| Weight | 5,9 Kg |
| Basic dynamic load rating (C) | 62,2 kN |
| Basic static load rating (C0) | 44,1 kN |