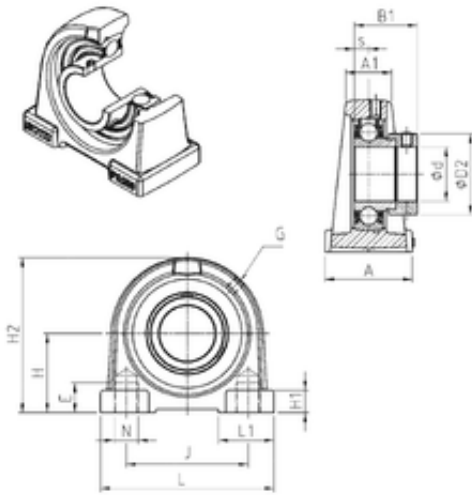




# CSC BEARING GROUP limited

## SNR ESPA207 Bearing unit

Bearing No. ESPA207



ESPA207 Bearing 2D drawings and 3D CAD models

|                               |         |
|-------------------------------|---------|
| Bore Diameter                 | 35 mm   |
| d                             | 35 mm   |
| s                             | 9,5 mm  |
| A                             | 48 mm   |
| A1                            | 27 mm   |
| B1                            | 38,9 mm |
| D2                            | 55,6 mm |
| E                             | 20 mm   |
| H                             | 47,6 mm |
| H1                            | 13 mm   |
| H2                            | 95 mm   |
| J                             | 80 mm   |
| L                             | 110 mm  |
| L1                            | 30 mm   |
| Thread (G)                    | M6x1    |
| Thread (N1)                   | M14     |
| Weight                        | 1,5 Kg  |
| Basic dynamic load rating (C) | 25,7 kN |