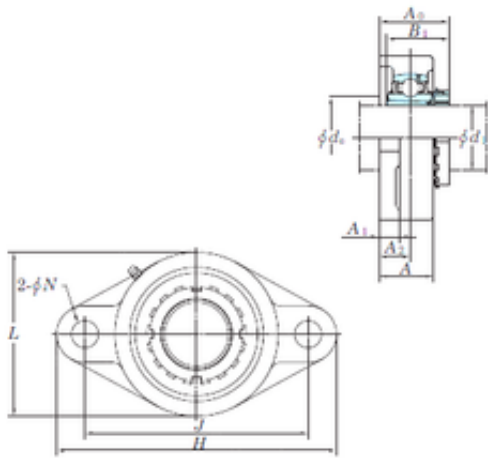




KOYO UKFL218 Bearing unit

Bearing No. UKFL218



UKFL218 Bearing 2D drawings and 3D CAD models

Bore Diameter	80 mm
d	80 mm
A0	82 mm
d3	102 mm
A	68 mm
A1	23 mm
B1	65 mm
H	320 mm
J	265 mm
L	205 mm
N	25 mm
Bolt (G)	M22
A2	40 mm
Weight	12,2 Kg
Basic dynamic load rating (C)	96,1 kN
Basic static load rating (C0)	71,5 kN