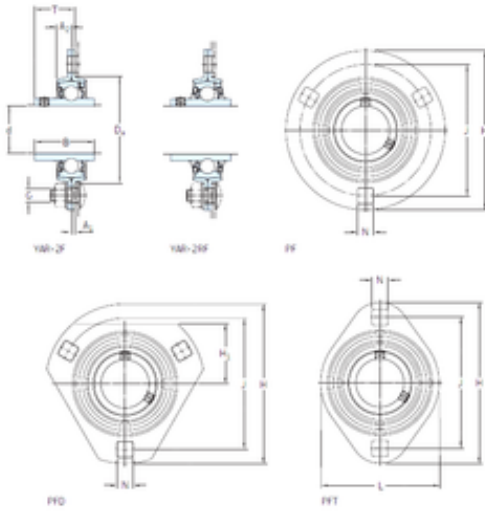




CSC BEARING GROUP limited



PFT 1. TF Bearing 2D drawings and 3D CAD models

SKF PFT 1. TF Bearing unit

Bearing No. PFT 1. TF

Bore Diameter	25,4 mm
Width	34,1 mm
d	25,4 mm
Da	60 mm
A1	2 mm
B	34,1 mm
G	8 mm
H	95 mm
H1	– mm
J	76 mm
L	71 mm
N	8,7 mm
T	21,8 mm
A2	9 mm
Weight	0,28 Kg
Basic dynamic load rating (C)	14 kN
Basic static load rating (C0)	7,8 kN
Housing material	Pressed steel
D _a min.	56 mm
A ₁	2 mm
A ₂	9 mm
B ₄	5 mm
s ₁	19.8 mm
Basic dynamic load rating C	14 kN
Basic static load rating C ₀	7.8 kN
Fatigue load limit P _u	0.335 kN



CSC BEARING GROUP limited

Limiting speed	7000 r/min
Mass bearing unit	0.3 kg
Thread grub screw G_2	1/4-28 UNF
Hexagonal key size for grub screw N	3.175 mm
Recommended tightening torque for grub screw	4 N · m
Recommended diameter for attachment bolts, mm G	8 mm
Recommended diameter for attachment bolts, inch G	0.3125 in
Housing	PFT 52
Bearing	YAR 205-100-2F