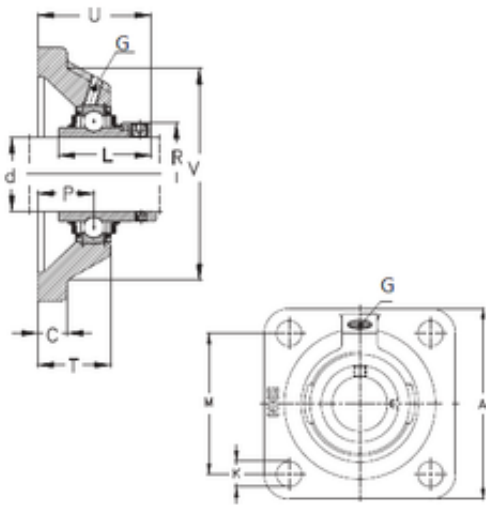




# CSC BEARING GROUP limited



## NKE RCJ100 Bearing unit

Bearing No. RCJ100

Bore Diameter	100 mm
d	100 mm
P	28 mm
V	230 mm
U	77,5 mm
K	27 mm
A	265 mm
C	25 mm
L	75 mm
M	210 mm
R	132 mm
T	46 mm
Thread (G)	R1/8 "

RCJ100 Bearing 2D drawings and 3D CAD models