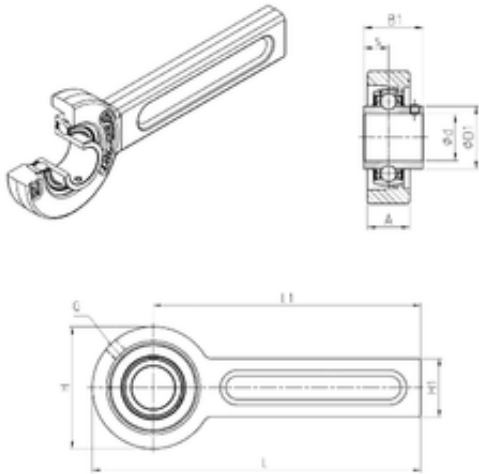




CSC BEARING GROUP limited



SNR UCSP205 Bearing unit

Bearing No. UCSP205

Bore Diameter	25 mm
d	25 mm
s	14,3 mm
A	21 mm
B1	34 mm
D1	34 mm
H	78 mm
H1	41 mm
L	264 mm
L1	225 mm
Thread (G)	R1/8"
Weight	1,7 Kg
Basic dynamic load rating (C)	14 kN
B	34 mm
A5	19.7 mm
G	R1/8"
H2	41 mm
s1	17 mm
S	14.3 mm
SW	3 mm
C	14 kN
C0	7.88 kN
T min.	-20 ° C
T max.	100 ° C
Recommended tightening torque for set screw	5.5 Nm

UCSP205 Bearing 2D drawings and 3D CAD models



CSC BEARING GROUP limited

Designation of housing	SP203-205/52-
Designation of bearing	UC205G2