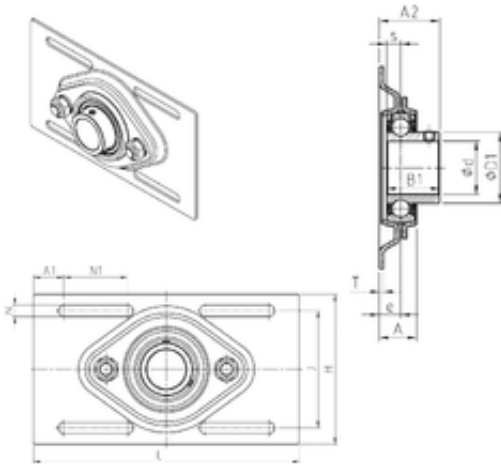




CSC BEARING GROUP limited



USPFE206 Bearing 2D drawings and 3D CAD models

SNR USPFE206 Bearing unit

Bearing No. USPFE206

Bore Diameter	30 mm
d	30 mm
e	12,1 mm
s	8 mm
A	21,1 mm
A1	23,4 mm
B1	30 mm
D1	40,3 mm
H	114,3 mm
J	89,2 mm
L	203,2 mm
N	8,7 mm
N1	48,5 mm
T	2,5 mm
A2	34,1 mm
Weight	0,8 Kg
Basic dynamic load rating (C)	19,5 kN