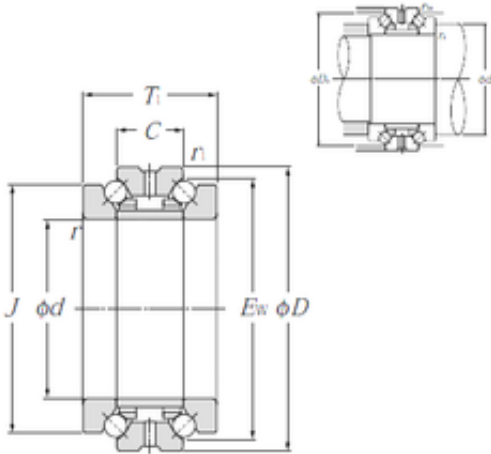




CSC BEARING GROUP limited

NTN 562024 Ball bearing

Bearing No. 562024



562024 Bearing 2D drawings and 3D CAD models

Bore Diameter	120 mm
Outer Diameter	165 mm
d	120 mm
D	180 mm
Ew	165 mm
T1	72 mm
C	36 mm
ra1 max.	1 mm
r min.	2 mm
r1 min.	1 mm
J	160 mm
da min.	143 mm
Da max.	172 mm
ra max.	2 mm
Weight	5,73 Kg
Basic dynamic load rating (C)	98 kN
Basic static load rating (C0)	335 kN
(Grease) Lubrication Speed	2 400 r/min