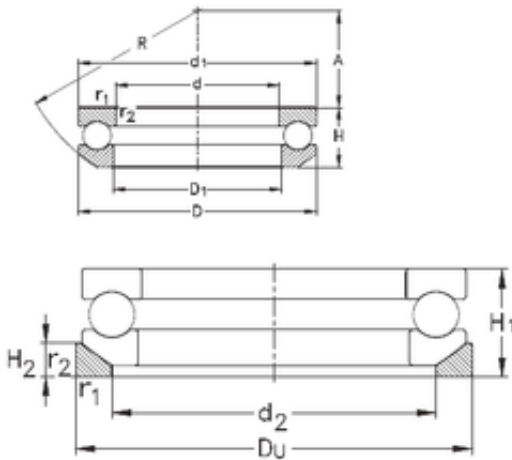




CSC BEARING GROUP limited

NKE 53204+U204 Ball bearing

Bearing No. 53204+U204



53204+U204 Bearing 2D drawings and 3D CAD models

Size	20x40x14.7 mm
Bore Diameter	20 mm
Outer Diameter	40 mm
Width	14,7 mm
d	20 mm
D	40 mm
H	14,7 mm
d1	40 mm
d2	30 mm
r1 min.	0,6 mm
r2 min.	0,6 mm
A	18 mm
D1	22 mm
H1	17 mm
H2	5 mm
R	36 mm
Weight	0,1 Kg
Basic dynamic load rating (C)	22,4 kN
Basic static load rating (C0)	37,5 kN