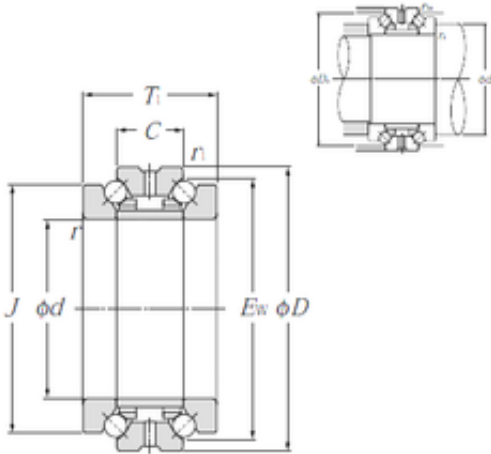




CSC BEARING GROUP limited

NTN 562005M Ball bearing

Bearing No. 562005M



562005M Bearing 2D drawings and 3D CAD models

Bore Diameter	27 mm
Outer Diameter	41,3 mm
d	27 mm
D	47 mm
Ew	41,3 mm
T1	28 mm
C	14 mm
ra1 max.	0,3 mm
r min.	0,6 mm
r1 min.	0,3 mm
J	40 mm
da min.	33 mm
Da max.	44 mm
ra max.	0,6 mm
Weight	0,17 Kg
Basic dynamic load rating (C)	13,2 kN
Basic static load rating (C0)	28,3 kN
(Grease) Lubrication Speed	7 600 r/min