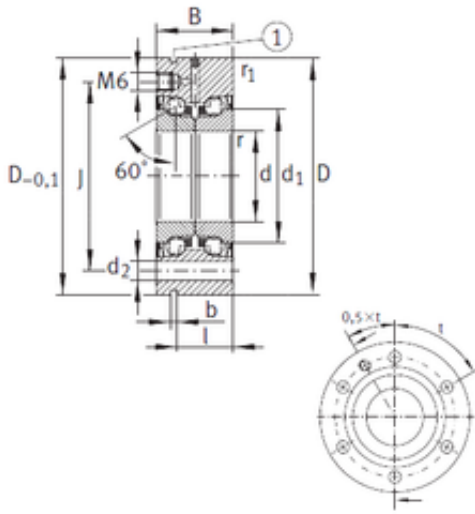




CSC BEARING GROUP limited



20 mm x 68 mm x 28 mm INA ZKLF2068-2RS-PE Ball bearing

Bearing No. ZKLF2068-2RS-PE

ZKLF2068-2RS-PE Bearing 2D drawings and 3D CAD models

Size	20x68x28 mm
Bore Diameter	20 mm
Outer Diameter	68 mm
Width	28 mm
d	20 mm
D	68 mm
B	28 mm
C	28 mm
Screw	4
l	19 mm
Angle (?)	60 °
b	3 mm
d1	34,5 mm
d2	6,8 mm
r min.	0,3 mm
r1 min.	0,6 mm
J	53 mm
Bolt (G)	M6
Weight	0,61 Kg
Basic dynamic load rating (C)	26 kN
Basic static load rating (C0)	47 kN
Category	Ball Bearings
Inventory	0.0
Manufacturer Name	SCHAEFFLER GROUP
Minimum Buy Quantity	N/A



CSC BEARING GROUP limited

Weight / Kilogram	0.001
Product Group	B00308